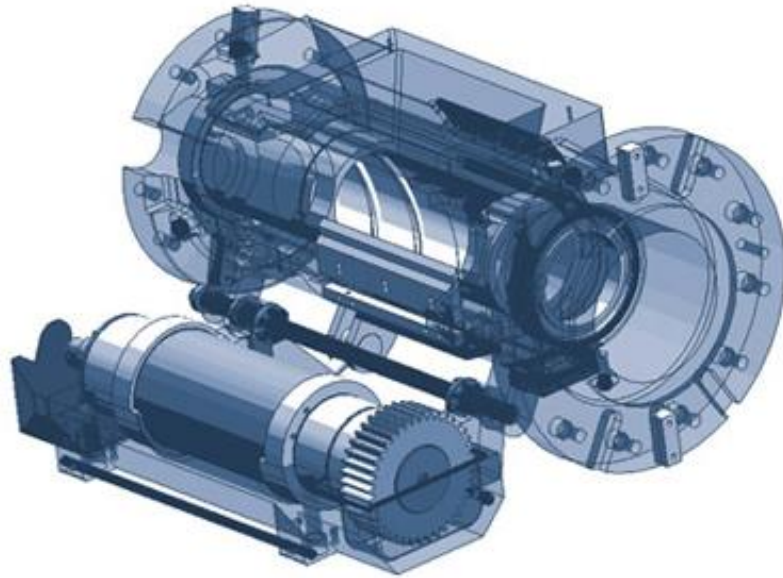


## Leading Cold Feed Rubber Extruder Manufacturers – Precision Rubber Processing Solutions



As leading manufacturers of [Cold Feed Rubber Extruders](#), we provide advanced, high-performance machinery designed to meet the demanding needs of the rubber industry. Our cold feed extruders are built to deliver consistent, reliable results while reducing material waste and optimizing energy efficiency.

### **Key Features:**

- **Advanced Technology:** Equipped with state-of-the-art controls for precise extrusion, ensuring high-quality rubber products with consistent dimensions and properties.
- **Energy Efficiency:** Designed to operate without the need for preheating, our cold feed extruders significantly reduce energy consumption, lowering operating costs.

- **Durable Construction:** Built with robust, wear-resistant materials to ensure long-lasting performance in high-demand industrial environments.
- **Versatile Applications:** Ideal for producing a wide range of rubber products, including seals, gaskets, hoses, and profiles for various industries.
- **Customizable Solutions:** Our extruders can be tailored to specific customer requirements, ensuring flexibility in meeting unique production needs.

With a commitment to quality and innovation, we are trusted manufacturers providing reliable, efficient, and customizable cold feed rubber extruder solutions for industries worldwide.